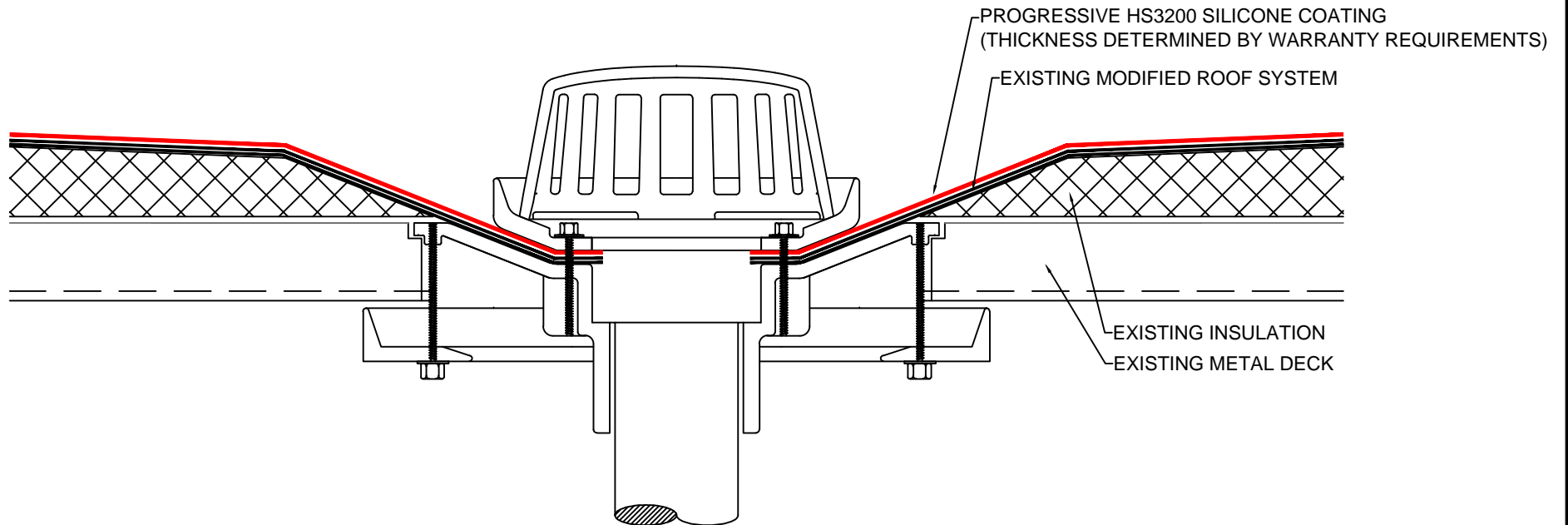


SILICONE RCR SYSTEM

EXISTING MODIFIED BITUMEN MEMBRANE



NOTE: INSTALL BLEED BLOCK PRIMER AS REQUIRED



Detail: Drain Detail - Modified Bitumen

Scale: Not To Scale

540 Central Court
New Albany, IN 47150
812-944-7803 phone
812-944-7804 fax