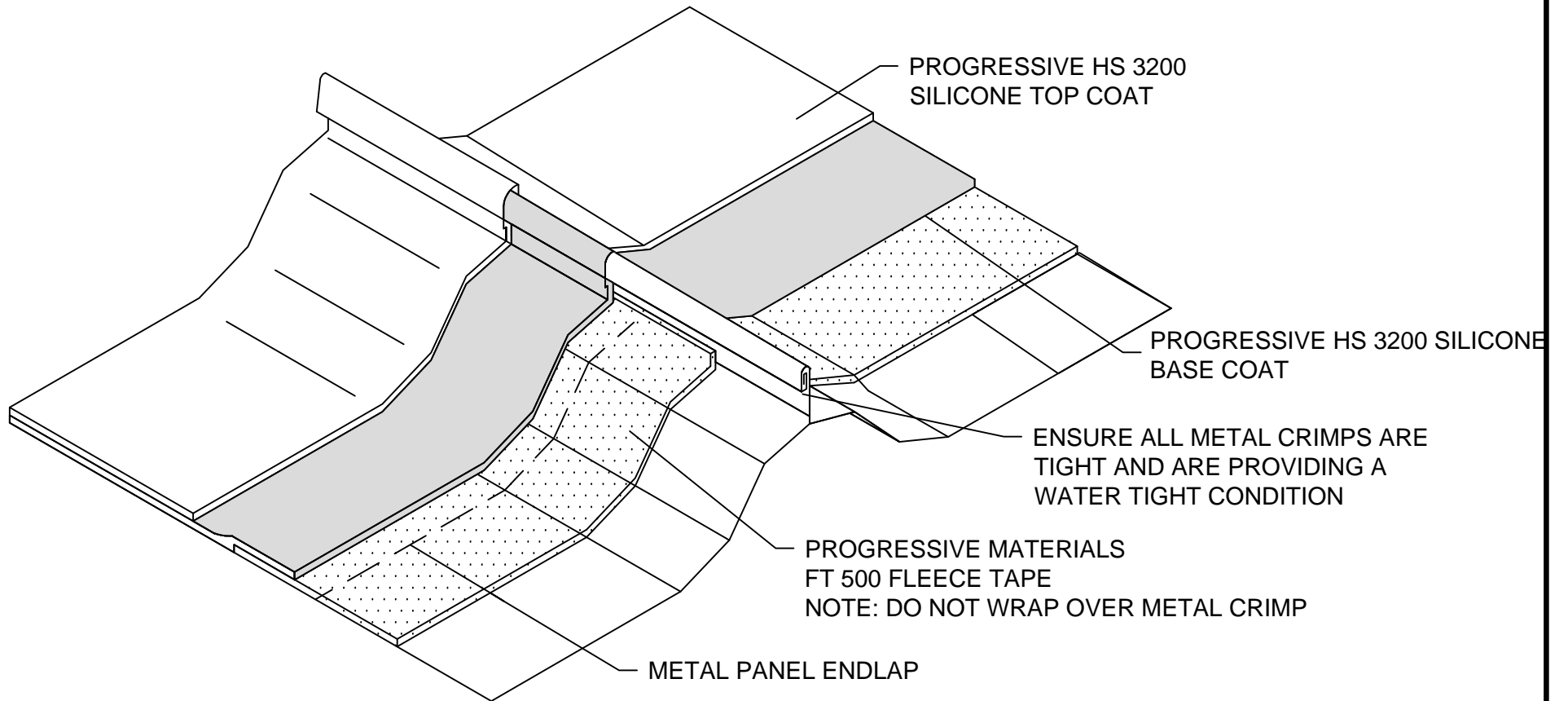


SILICONE RCR SYSTEM

EXISTING METAL ROOF PANEL



Detail: Standing Seam Lap Detail

Scale: Not To Scale

540 Central Court
New Albany, IN 47150
812-944-7803 phone
812-944-7804 fax